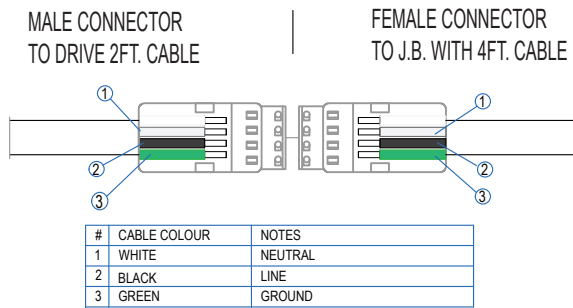
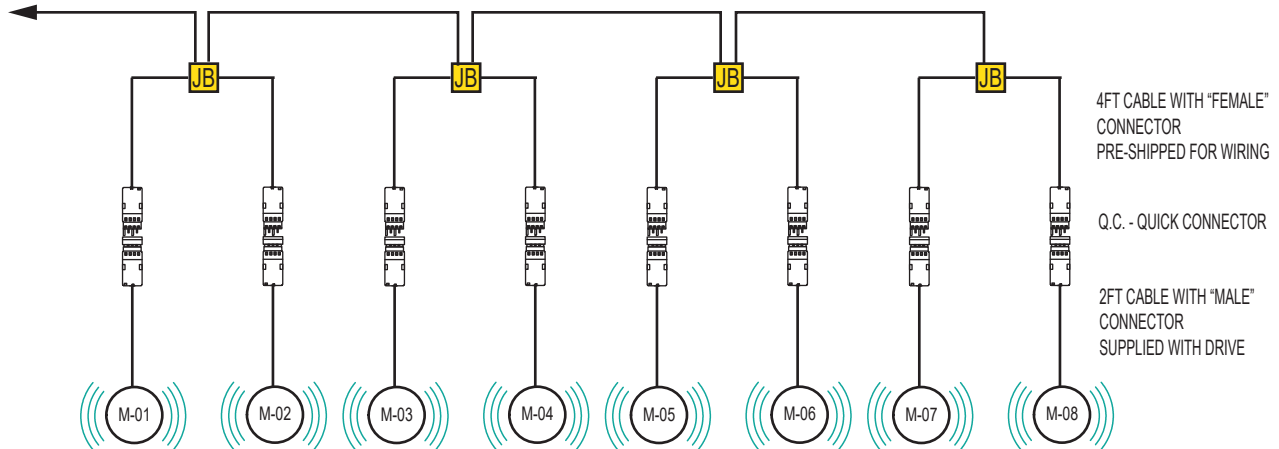


WIRELESS CONTROL OPTIONS

WITH HAND HELD REMOTE & WIRELESS WALL SWITCH

120VAC TO DEDICATED 15Amp BREAKER



QUICK CONNECTOR WIRING



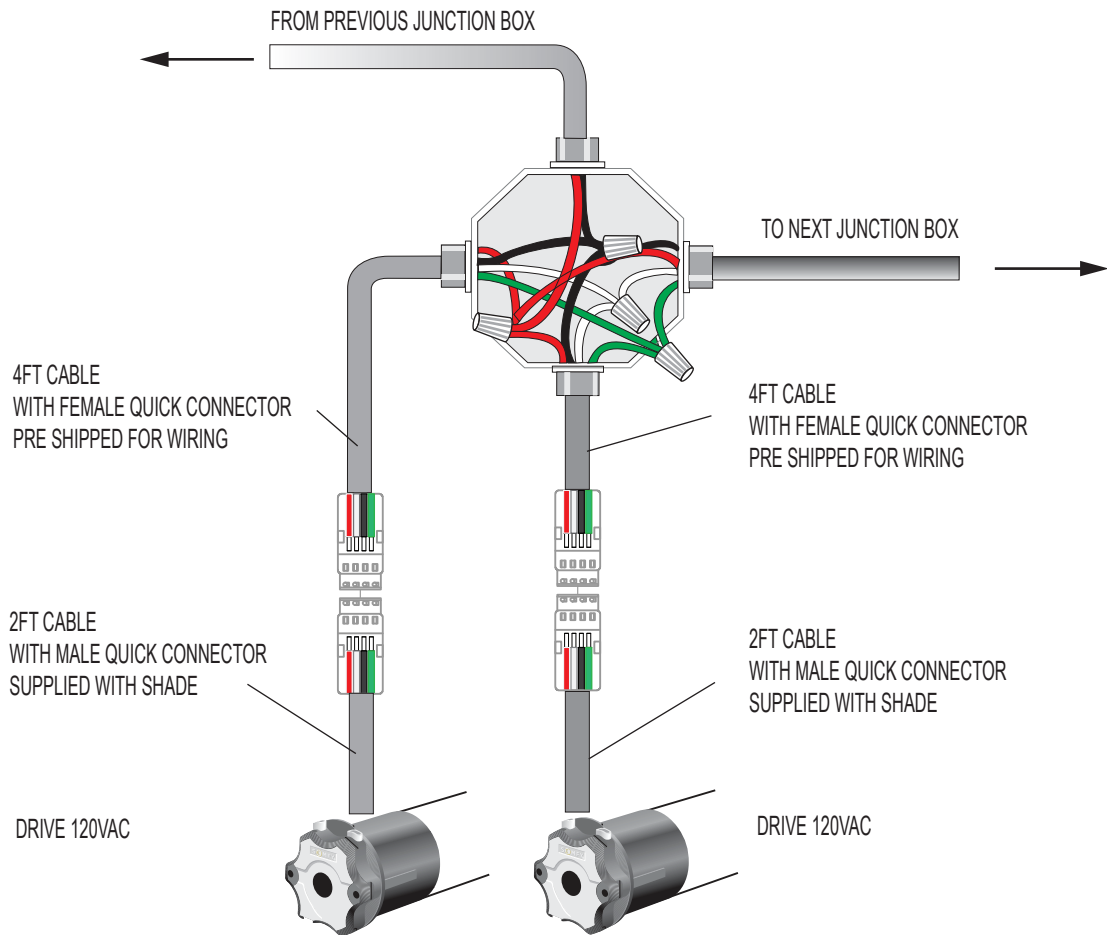
1, 5 OR 16 CHANNELS
WIRELESS WALL SWITCH
(DOES NOT REQUIRE WIRING)



1, 5 OR 16 CHANNELS
HAND-HELD REMOTE CONTROL

NOTES:

- 1) WIRING DIAGRAM FOR QUOTATION PURPOSE ONLY
- 2) M - DRIVE RTS. DRIVE CAN BE LOCATED ON LEFT OR RIGHT ON SHADE LOOKING FROM INSIDE TO OUTSIDE
- 3) Q.C. QUICK CONNECT (FEMALE/MALE CONNECTORS) - WAGO 4POLE, PIN SPACING 3.5mm/.138", 250VAC
- 4) MAXIMUM 8 DRIVES 120AV-1.5Amp ea, PER 15Amp. BREAKER. COORDINATE WITH G-LINE EXACT PROJECT
- 5) JB - JUNCTION BOX BY OTHERS. MAXIMUM TWO DRIVES PER JUNCTION BOX.
- 6) ALL WIRING BY OTHERS
- 7) FOR PROJECT SPECIFIC WIRING DIAGRAM CONTACT G-LINE
- 8) COORDINATE WIRING WITH SHADING SUPPLIER
- 9) ALL WIRING BY CERTIFIED ELECTRICIANS IN ACCORDANCE WITH NEC AND LOCAL ELECTRICAL AND BUILDING CODES



RTS OR RS-485 ONLY DRIVES. DO NOT WIRE TWO STANDARD DRIVES IN PARALLEL!
EACH STANDARD DRIVE SHALL BE WIRED INDEPENDENTLY TO A 120VAC SWITCH BY A LICENSED ELECTRICIAN

MALE CONNECTOR
TO DRIVE WITH 2FT. CABLE



FEMALE CONNECTOR
TO J.B. WITH 4FT. CABLE

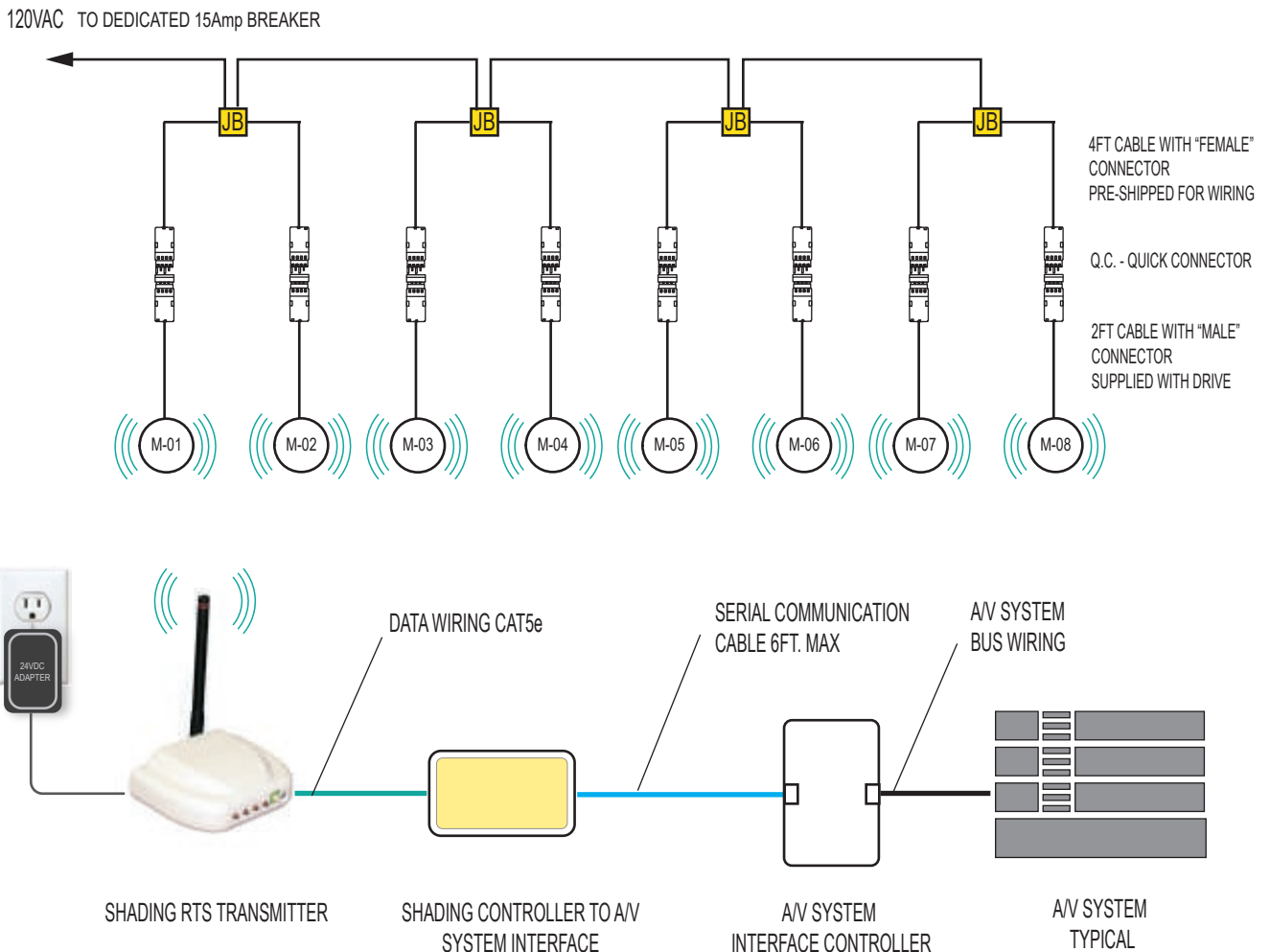
#	CABLE COLOUR	NOTES
1	RED *	DIRECTION / NEUTRAL *(NOT USED IN WIRELESS AND INTELLIGENT DRIVE WIRING)
2	WHITE	DIRECTION / NEUTRAL
3	BLACK	LINE
4	GREEN	GROUND

NOTES:

- 1) WIRING DIAGRAM FOR REFERENCE PURPOSE ONLY
- 2) Q.C. QUICK CONNECT (FEMALE/MALE CONNECTORS) - WAGO 4POLE, PIN SPACING 3.5mm/.138", 250VAC
- 4) MAXIMUM 2 DRIVES 120AV-1.5Amp ea, PER ONE JUNCTION BOX
- 5) JB - JUNCTION BOX BY OTHERS.
- 6) ALL WIRING BY OTHERS
- 7) ALL WIRING BY CERTIFIED ELECTRICIANS IN ACCORDANCE WITH NEC AND LOCAL ELECTRICAL AND BUILDING CODES

INTEGRATION TO A/V SYSTEM

WITH WIRELESS CONTROLLER AND PROGRAMMABLE INTERFACE



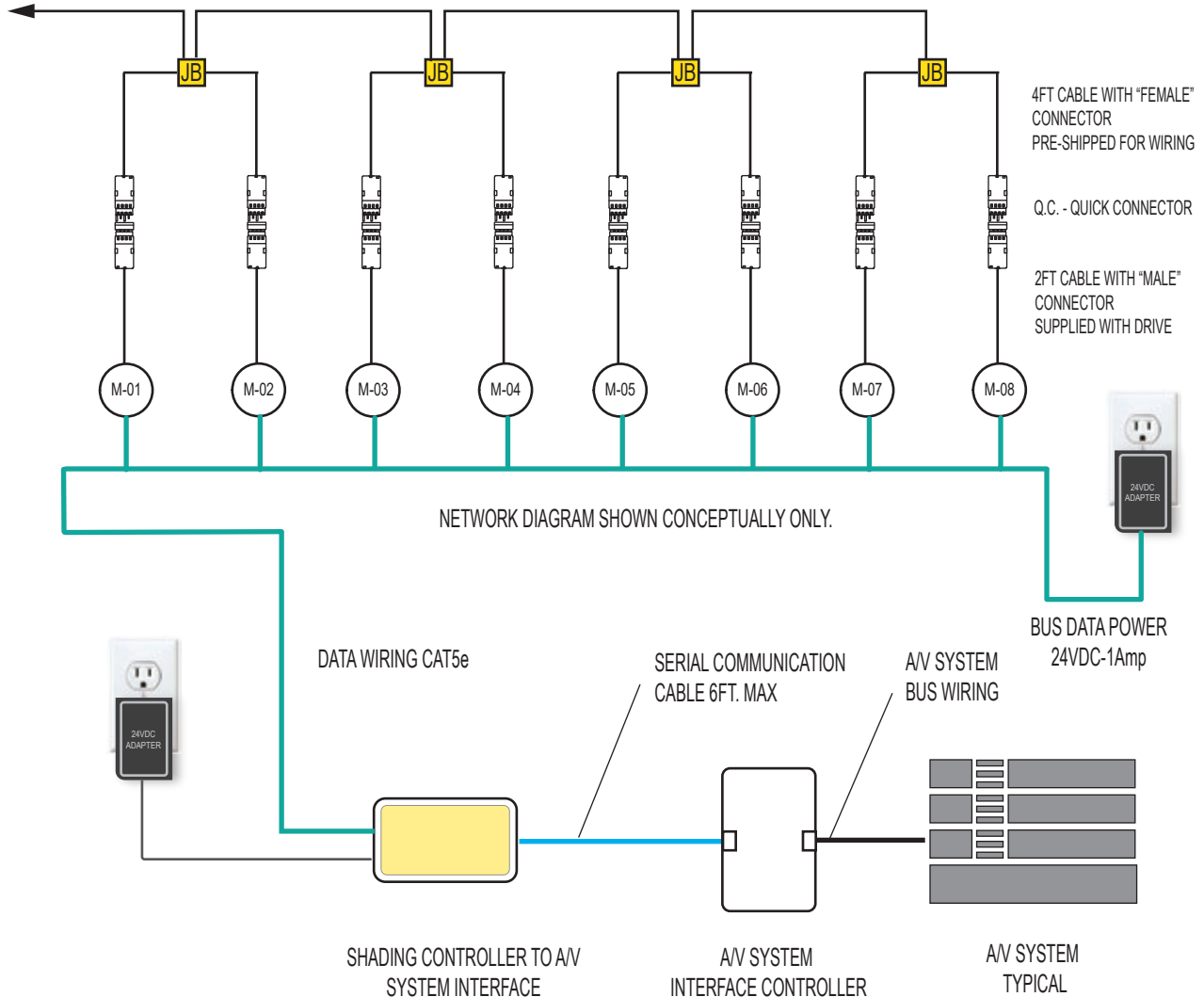
NOTES:

- 1) WIRING BLOCK DIAGRAM FOR REFERENCE ONLY
- 2) SHADING WIRELESS (RTS) TRANSMITTER. REQUIRES POWER VIA 24VDC ADAPTER. PROVIDE OUTLET WITHIN 6FT- BY OTHERS. ACCESS TO DEVICE IS REQUIRED ALL THE TIME. MAX RANGE +/- 45FT . AND MAY VARY WITH DIFFERENT STUDS, WALLS, FLOOR MATERIAL AND DESIGNS. PLEASE CONSIDER LIMITATION WHEN ESTIMATE LOCATION OF RTS. CONTACT G-LINE CUST. SERVICE FOR ASSISTANCE.
- 3) SHADING TRANSMITTER AND SHADING CONTROLLER REQUIRES PROGRAMMING. COLLABORATION WITH A/V INTEGRATOR IS REQUIRED.
- 4) DATA WIRING CAT5e. ALL DATA WIRING BY OTHERS.
- 5) SERIAL COMMUNICATION CABLE 6FT. MAX, SUPPLIED WITH SHADING CONTROLLER
- 6) A/V SYSTEM BUS WIRING - BY OTHERS, A/V SYSTEM - BY OTHERS
- 7) CONTACT G-LINE FOR SOLUTIONS FOR INTEGRATION TO A/V AVAILABLE.
- 8) SHADES CONTROL BY HARDWARE (SWITCHES, TOUCH PANELS) PROVIDED BY A/V SYSTEM AFTER INTEGRATION

INTEGRATION TO A/V SYSTEM

WITH **RS-485** PROGRAMMABLE INTERFACE

120VAC TO DEDICATED 15Amp BREAKER



NOTES:

- 1) WIRING BLOCK DIAGRAM FOR REFERENCE ONLY
- 2) SHADING CONTROLLER AND DATA BUS REQUIRES POWER VIA 24VDC ADAPTER. PROVIDE OUTLET WITHIN 6FT- BY OTHERS. ACCESS TO DEVICE IS REQUIRED ALL THE TIME.
- 3) SHADING CONTROLLER REQUIRES PROGRAMMING. COLLABORATION WITH A/V INTEGRATOR IS REQUIRED.
- 4) DATA WIRING CAT5e. ALL DATA WIRING BY OTHERS.
- 5) SERIAL COMMUNICATION CABLE 6FT. MAX, SUPPLIED WITH SHADING CONTROLLER
- 6) A/V SYSTEM BUS WIRING - BY OTHERS, A/V SYSTEM PROVIDED - BY OTHERS
- 7) CONTACT G-LINE FOR SOLUTIONS FOR INTEGRATION TO A/V AVAILABLE.
- 8) SHADES CONTROL BY HARDWARE (SWITCHES, TOUCH PANELS) PROVIDED BY A/V SYSTEM AFTER INTEGRATION